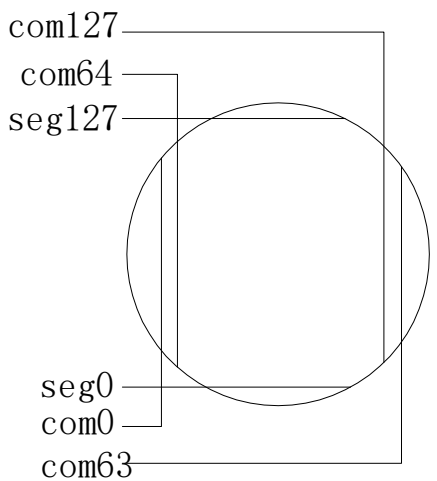
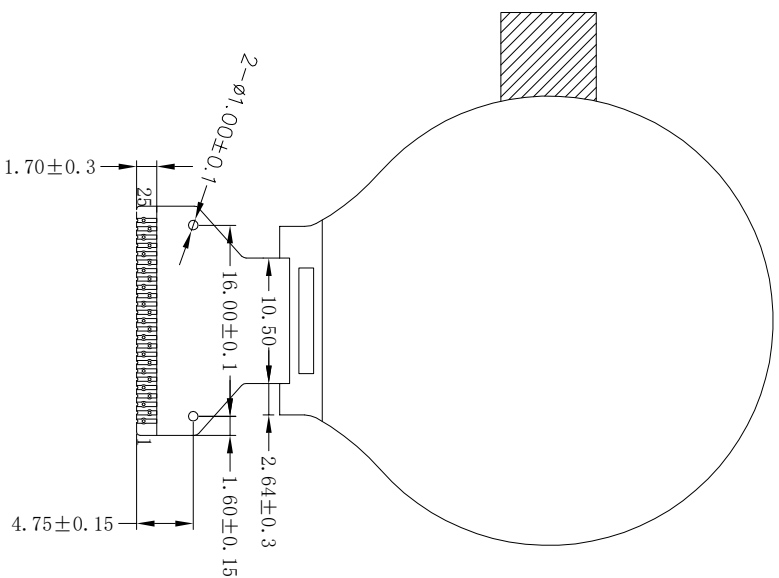
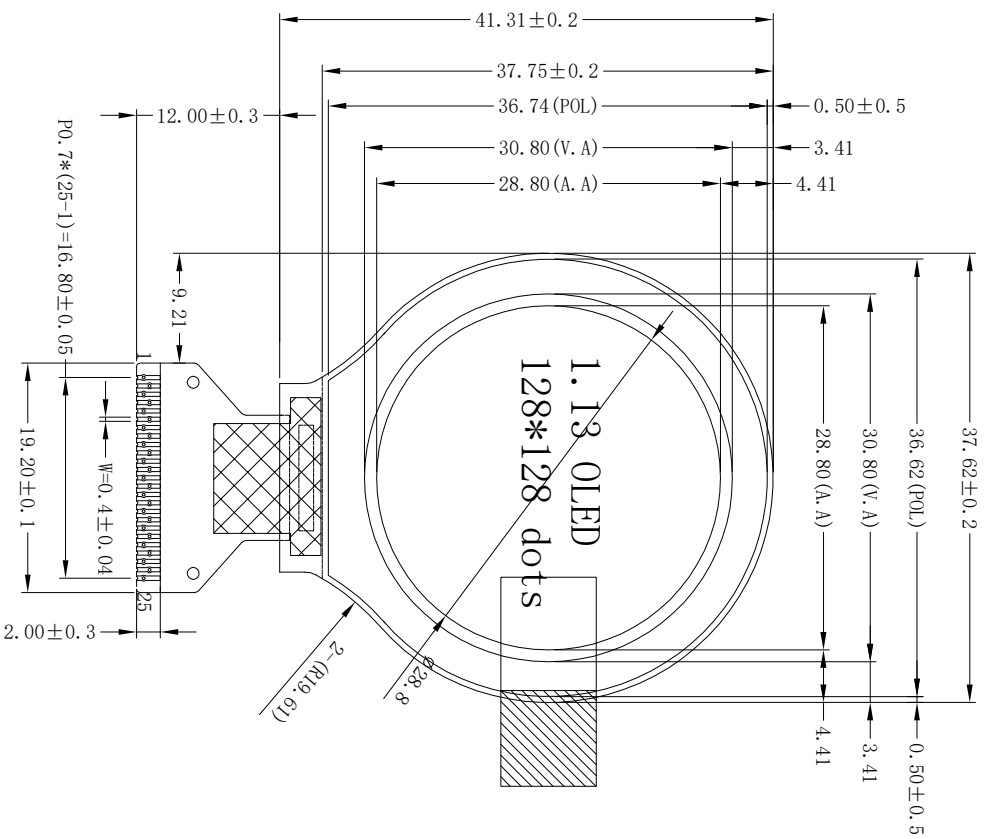


PIN FUCTION

PIN	SYMBOL	FUNCTION
1	NC	
2	VSS	
3	VCI	
4	VDD	
5	BS1	
6	BS2	
7	IREF	
8	NC	
9	/CS	
10	/RES	
11	D/C	
12	/WR	
13	/RD	
14	D0	
15	D1	
16	D2	
17	D3	
18	D4	
19	D5	
20	D6	
21	D7	
22	VCOMH	
23	VCC	
24	VSS	
25	NC	



NOTES:

1. OPERATING TEMP:  $-30^{\circ}\text{C} \sim 70^{\circ}\text{C}$
2. STORAGE TEMP:  $-40^{\circ}\text{C} \sim 80^{\circ}\text{C}$
3. DRIVER IC: SSD1327
4. RoHS Compliant

DLC Display Co., Limited

www.dlcdisplay.com

DRAWN BY:	TITLE: DLC0113AV0G-W	SCALE:	UNIT: mm
CHECKED BY:	DWG NO:	SCALE:	UNIT: mm
APPROVED BY:	DWG NAME:	SHEET NO:	OF
CONFIRMED BY:			